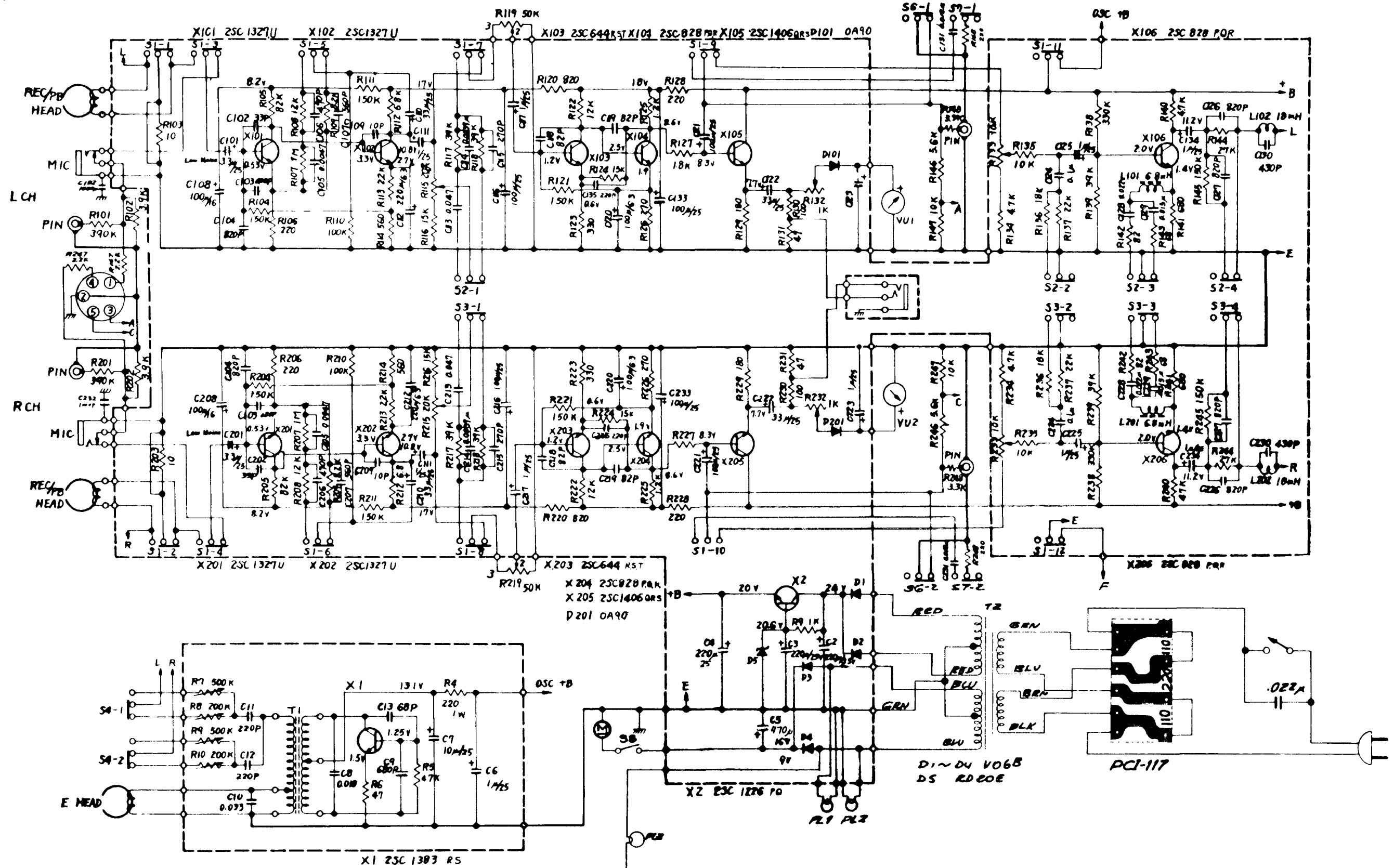


CD - 1655



- S1 REC/PB (REC)
- S2 E_L SN (LCH) (CHROME)
- S3 E_R SN (RCH) (CHROME)
- S4 BIAS SN (CHROME)
- S5 POWER SN (ON)
- S6 MUTING SN (MUTING)
- S7 NOISE SUPPRESSOR (OFF)
- S8 MOTOR SN (OFF)